

# Emergency Sanitation Project

- Producing new sanitation kits
- Part of Global WASH Cluster Strategy
- \$1.2 million from OFDA
- Consortium:



## Key Design Requirements

- First phase emergency response
- Dignity & safety for the user
- Suitable for air freight
- Low cost
- *Quick, simple & high quality*

# Latrine Superstructures

- More durable than plastic sheeting & poles
- Better experience for the user

## Dunster House

- Larger toilet cubicle option
- Long roof for rain runoff
- Very durable
- Wooden frame repairable locally
- Double size accessible version



## AMG Group

- Experienced tent manufacturer
- Material more durable than plastic sheeting
- Packs small and light
- Assembled in < 4 minutes
- Wind resistant



Name	Cost in UK	Weight (kg)	Airfreight to Juba
Dunster House	\$80	34	\$170
AMG Group	\$85	10	\$50

Aircell



Evenproducts



# Trench Linings

- Collapsing soils
- Primarily for trench latrines

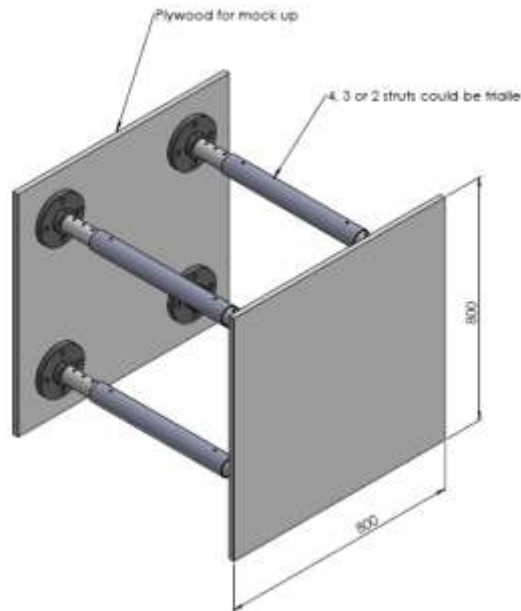
## Dunster House

- 2 cubicles long
- 120cm wide
- Much greater volume than a normal trench latrine
- Slab sits on wooden frame



## Oxford Plastics

- 80 x 120 cm panels
- 85 cm wide
- Flexible in how it's used



## Evenproducts

- 2 cubicles long
- Extension kit available
- 100cm wide
- Slab sits on soil



Name	Lining Depth (cm)	Cost per cubicle	Weight (kg)	Airfreight to Juba
Dunster House	80	\$41	15	\$75
Oxford Plastics	120	\$33	15	\$75
Evenproducts	63	\$25	15	\$75

# Raised Latrines

- When pit latrines aren't possible
- Requires desludging

## Dunster House

- Timber frame
- Desludge via hatch at back
- Excreta tank 1m<sup>3</sup>/cubicle
- Access platform



## Flexxolutions

- Metal frame
- Reusable
- Excreta bladder 0.8m<sup>3</sup>/cubicle
- Desludging through zip in bladder



Name	Cost in UK	Weight (kg)	Airfreight to Juba
Dunster House	\$360	108	\$540
Flexxolutions	\$575 *	69	\$350

This is per cubicle, **including** slab      \*Price is their target based on 250 orders/year

WASTE



Aircell



Evenproducts



# Desludging

- To fit on any pickup or flatbed
- Effective with a variety of pit latrines

## 'ROM'

- Can be placed on any truck or pickup
- Outperformed diaphragm pump
- 800 litre vacuum tank
- 3" hose copes with some rubbish
- Water tank with pressure pump and special nozzles for 'fluidising' sludge
- \$24,000
- 400kg



# Handy Wash

- Water conserving
- Convenient & easy to use

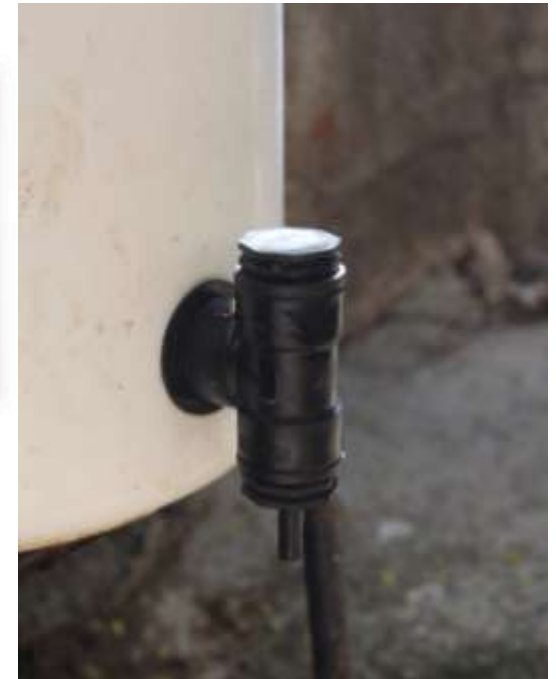
## Version 1

- One touch handwashing device
- No cross contamination
- Low flow to conserve water
- Fits on any bucket
- Currently in use & available to buy for \$8



## Version 2

- Valve requires less force
- More durable
- Development ongoing



# Household Toilets

- For household, primarily urban, use
- Suitable for use by people unable to use latrines

## Mosan

- Urine Diverting Toilet
- One bucket for poo, one for pee
- Cover faeces with ash, sawdust or soil
- Easier to handle than single bucket of wet sludge
- Prototype stage



Sit & Pull



Loowatt



# Emergency Sanitation Project

Angus McBride: [amcbride@oxfam.org.uk](mailto:amcbride@oxfam.org.uk)

